



ST100

# LED SCREEN TRAILER

DESIGNED SMART. BUILT STRONG.



# OPTIMIZING VISIBILITY & SAFETY

---

## SCREEN SUPPORT

- Screen Size:  
Up to 7.2m x 4.1m (23' 7" x 13' 5")
- Screen maximum height: Up to 9.1m (30')
- Reinforced backbone protecting your high value LED tiles
- 360° Rotation
- PA Capacity: 200 lb (91 kg) per side
- Top and lateral banner supports

## WIND RATING

- 57 mph (92 km/h)
- Complies with proven Stageline HWAP

## CERTIFICATION

Stageline provides complete engineering certification for both structural design and rigging capacity. Certified documents available for each state and province of the US and Canada.







## TRAILER

- Specifically designed and manufactured for North American roads
- Rigid frame providing better road handling and reducing tire wear & tear
- Galvanized steel
- Third axle option
- Hydraulic foldable gooseneck available
- Retractable bumper offering space for a 25-30 KW generator or additional 1,500 lb storage capacity
- Weatherproof control room with HVAC

## RELIABILITY & DURABILITY

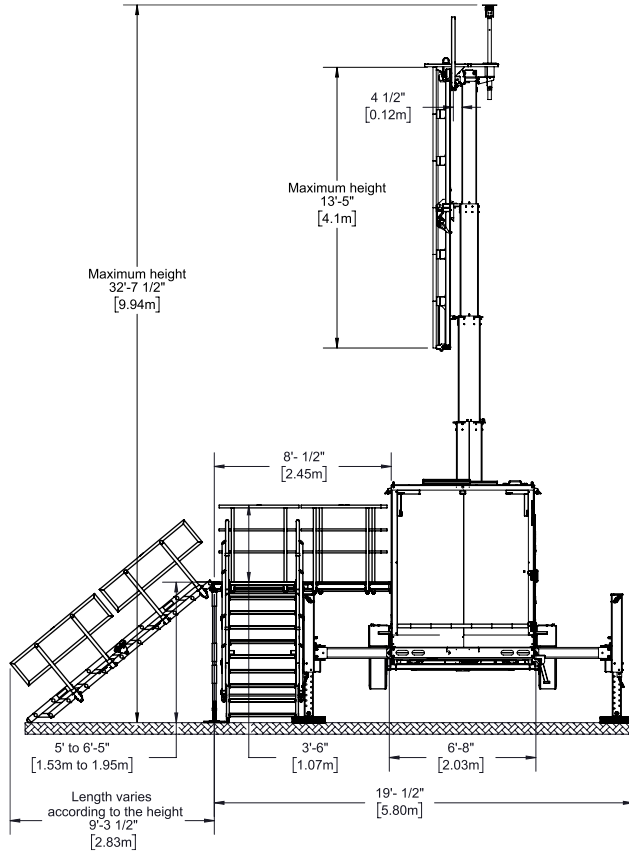
---

## HYDRAULIC LEVELLING

- Ability to lift the wheels off the ground for ease of installation on uneven terrain, delivering a faster and safer installation
- Installation range: 10" to 2' 10" (0.25 m to 0.86 m)
- Levelled easily with an all around camera system



# TECHNICAL SPECIFICATIONS



## TRAILER

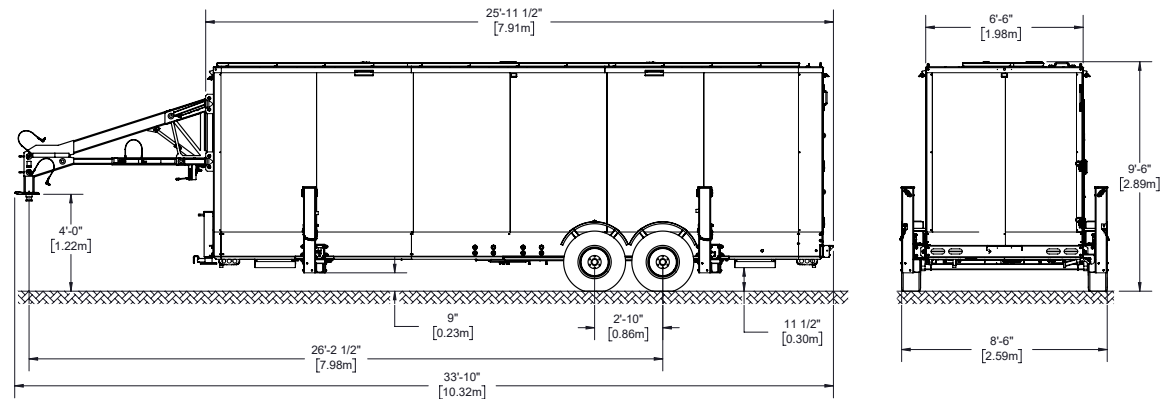
Length	From 29'-1 1/2" to 36'-1"	From 8.87 m to 11 m
Width	8'-6"	2.59 m
Height	9'-6"	2.89 m
Weight	From 11,250 lb	From 5,103 kg
Trailer levelling range	1' 4"	0.41 m

## SCREEN SUPPORT

Screen size	up to 23'-7" x 13'-5"	up to 7.2 m x 4.1 m
Screen weight	up to 3,275 lb	up to 1,485 kg
Screen height	up to 29'-11"	up to 9.12 m
Maximum clearance	16'-6"	5 m

## POPULAR FEATURES

Speaker flybay capacity	200 lb per side	91 kg per side
Stage configuration	24'0" x 8'0"	7.32 x 2.44 m
Rear hitch	1,500 lb	680 kg



Drawbar option available.